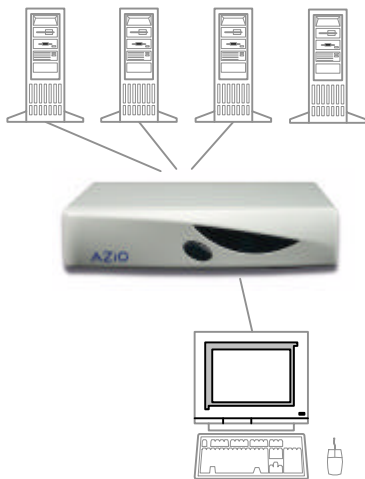


DMV4 Family – 4 Port Desktop Keyboard Mouse and Video Switch for Desktop Systems



Four DMV4 Models to suit all desktop applications:

DMV4	4 Port PS/2
DMV4USB	4 Port USB / PS/2
DMV4MAC	4 Port MAC
DMV4M	4 Port Multi-Platform

DMV4 Family - Standard Features

- 1900 x 1440 / 75Hz SVGA, VGA and XGA supported
- Easy installation – no software required
- Channel selection via hot-key, front panel, mouse or RS232
- Front-panel display indicates selected channel
- Small size – 228mm x171mm x 57mm

Benefits

- Saves money and space – no need to buy more than one set of peripherals
- Saves power
- Increases efficiency

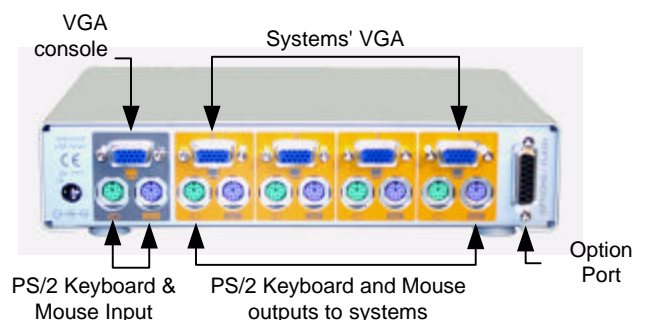
General Description

AZIO's DMV4 family are high-performance 4 port KVM switches that allow a single keyboard, mouse and monitor to control up to four systems. Once connected, all the systems will boot without user intervention. DMV4's are a hardware product and do not require any software to be installed. They operate across all operating systems.

DMV4 - 4 Port Keyboard, Mouse and Video Switch for PS/2 Systems

Supports systems which have PS/2 style keyboard and mouse and VGA monitor connection. These can be a mix of PCs, RS6000 or Alpha hosts. Selection of each computer is controlled in 4 ways:

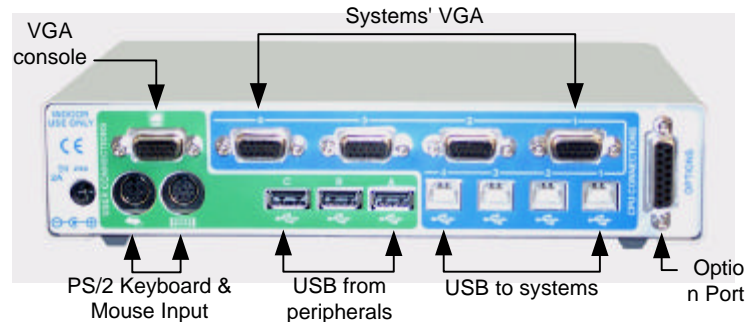
- User-programmable "Hot-Key" sequences on the keyboard
- Front panel push buttons on the DMV4 itself
- Mouse
- Via RS232 link or optional remote control



DMV4USB - 4 Port Keyboard, Mouse and Video Switch for USB Systems with PS/2 input option

AZIO's DMV4USB is 4 port USB KVM switch for that allows a single keyboard, mouse and monitor to control up to four systems, which have USB style keyboard and mouse and VGA monitor connection. These can be a mix of PCs and iMAC's. The integrated 3 Port USB hub also allows 3 USB peripherals to be shared between the systems.

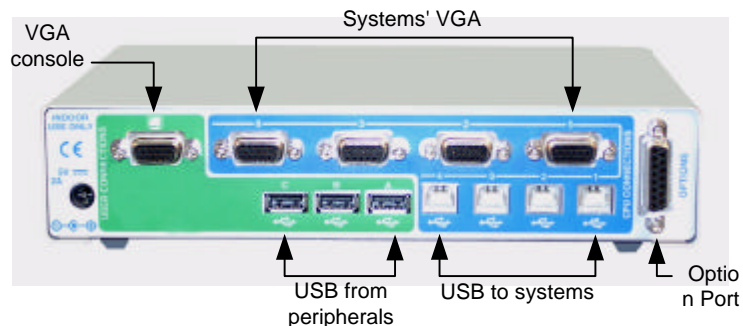
Channel selection via front panel and by hot key or mouse with PS/2 keyboard & mouse



DMV4MAC - 4 Port Keyboard, Mouse and Video Switch for USB Systems

AZIO's DMV4MAC is a 4 Port USB KVM switch. It is a reduced version of the DMV4USB and is intended for MAC switching applications although it operates equally well with USB enabled PC's. The DMV4MAC also has an integrated 3 Port USB hub which allows 3 USB peripherals to be shared between the systems.

Channel selection via front panel.



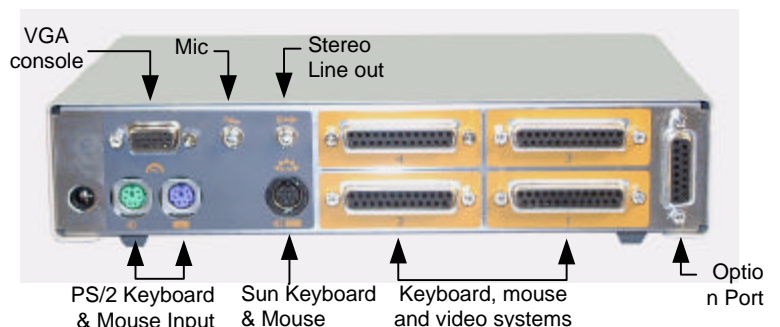
DMV4M - 4 Port Keyboard, Mouse and Video Switch for Multi-Platform Users

AZIO's DMV4M is a 4 Port Keyboard Mouse and Video switch which is intended for users who run mixtures of hardware platforms and still want the convenience of a KVM switch for their desktop. The DMV4M supports PS/2, SUN and USB keyboard & mouse interfaces and converts the keyboard and mouse protocols to those required by the connected computers. Users can choose PS/2, SUN or USB input devices. System cables are available to suit the different host types.

The DMV4M provides switching for Microphone and Stereo Line output. It is flash-upgradeable for convenient future software upgrades.

There are two versions:

DMV4MS for PS/2 and Sun switching and DMV4MU for PS/2, SUN and USB.



CALL US OR E-MAIL US **NOW** ON SALES@AZIO.CO.UK FOR A DEMO.